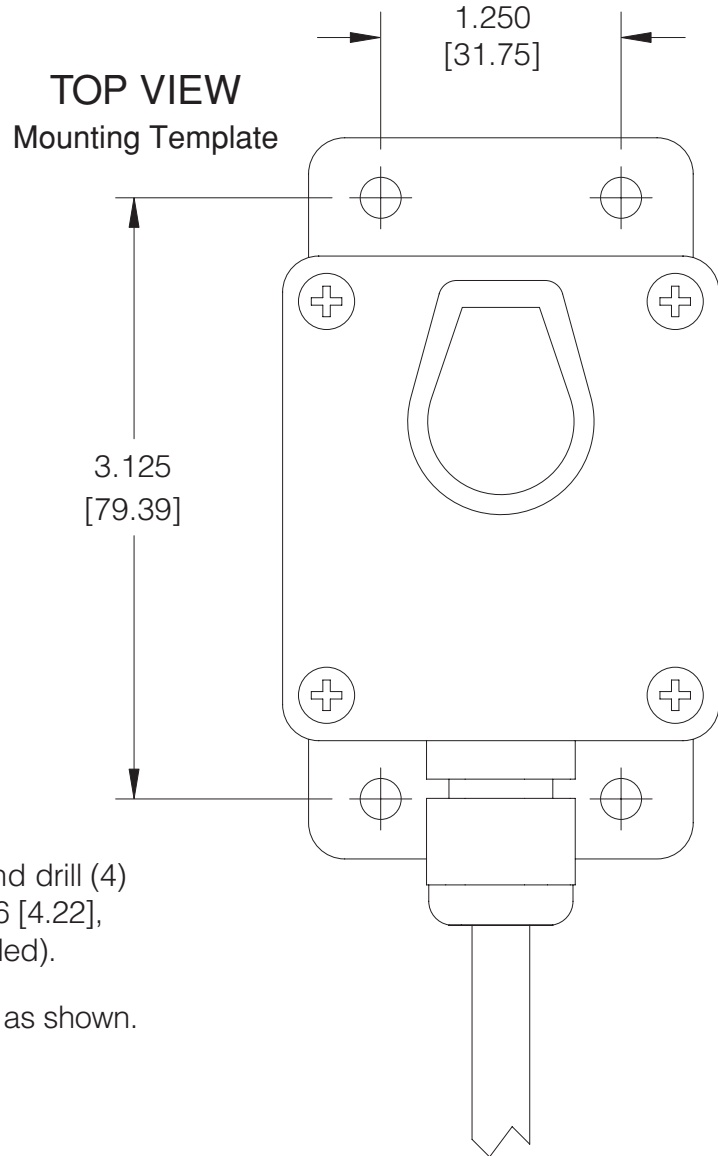


Headset Module: HM708

P/N: 103-0708-00

Units: Inches [millimeters]

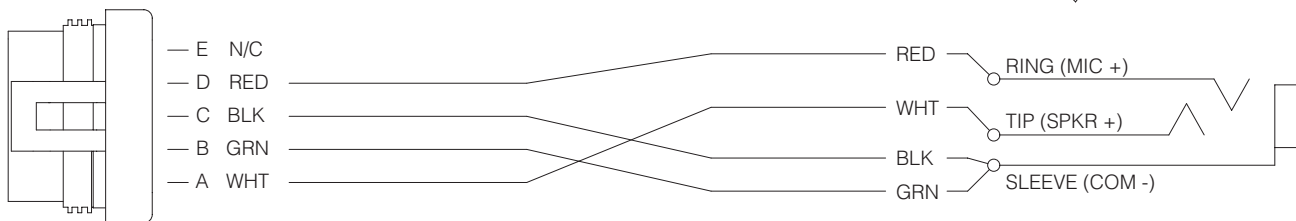
Scale: 1:1



### Installation Notes

1. Use the mounting template to locate and drill (4) mounting holes using a No .19 drill,  $\phi$ .166 [4.22], for the #10 thread cutting screws (provided).
2. Mount with the cable pointed downward as shown.

Metri-Pack 280



### Flightcom Corporation

7340 SW Durham Road, Portland, OR 97224 USA  
 www.flightcom.net • e-mail: sales@flightcom.net  
 800-432-4342 or 503-684-8229

Flightcom is a registered trademark of Flightcom Corporation.  
 Specifications subject to change without notice. ©2007 Flightcom Corporation.